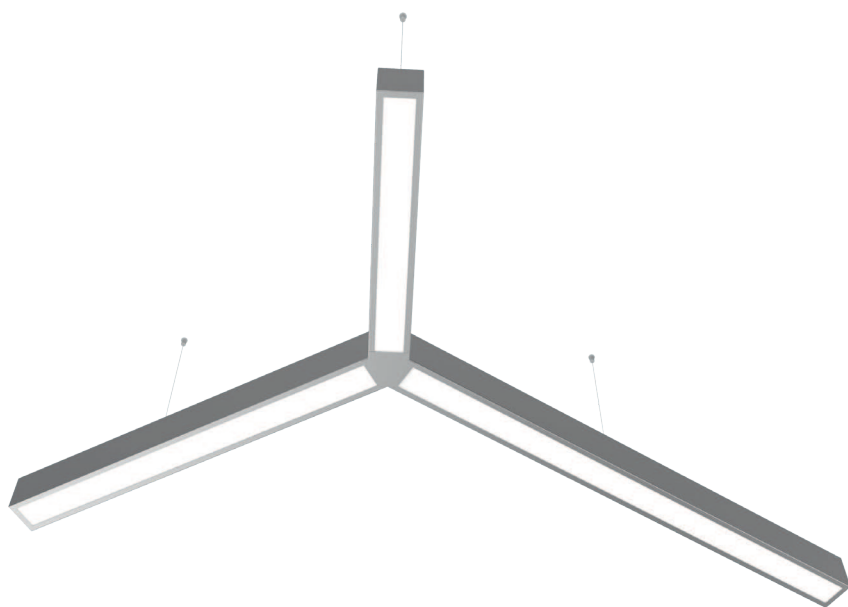


## TRE STAR LED



Index no.	Lumen output [lm]	Power [W]	Colour temp. [K]	CRI	Lifetime [H]	Warranty [Years]	MacAdam [SDCM]	Weight [kg]
6598.9900/830	9900	69	3000	Ra > 80	50.000	5	3	7,00
6598.9900/840	9900	69	4000	Ra > 80	50.000	5	3	7,00

Suspended direct lighting LED luminaire

<b>Mounting:</b>	Suspended, suspension wires included
<b>Body material:</b>	Aluminium profile
<b>Colour:</b>	Standard Gray 9006, other RAL colours on request ( please add RAL code after index number )
<b>LED module:</b>	Philips / Osram or Tridonic LED module included
<b>Colour temperature:</b>	3000K or 4000K
<b>Colour Rendering Index (CRI)</b>	>80 in standard, other on request
<b>Driver:</b>	Electronic driver in standard, DALI on request
<b>Emergency unit:</b>	on request - Standard or DALI 3 hour emergency unit
<b>Movement sensor:</b>	on request
<b>Daylight control sensor:</b>	on request
<b>Operating temperature range:</b>	0°C... +40°C
<b>IP Class:</b>	IP20 in standard, IP44 on request
<b>Power:</b>	220-240V 50/60Hz
<b>Lighting direction:</b>	Direct
<b>Reflector type:</b>	Aluminium white
<b>Light distribution:</b>	Symmetric
<b>Diffuser:</b>	White acrylic diffuser [WD] in standard, acrylic frosted [AC], microprismatic [MPR] or any other on request.
<b>General data:</b>	5 Years standard warranty
	UGR<19 diffuser on request
	Different lumen output or wattage available on request

All other technical features such as: Luminaire Efficacy, LOR, Lumen maintenance L/B etc. available in our pricelist

Wattage of products may vary due to constant LED efficacy improvements. Luminous flux & Luminaire Power tolerance +/- 10%.

System power consumption (LED module & driver) depends on components used

